







Our range of products available to customers in Poland and abroad includes windows, PVC doors, roller shutters, external Venetian blinds, shop windows and aluminum items. Our designs as well as ergonomic and technical solutions satisfy the needs of discerning users.

Windows are manufactured in a linear production process supported by the latest generation of machinery at our modern plant, located within Poland's Green Lungs region. Relying on our innovative and efficient production facilities we are able to supply large shop windows and quickly turnaround private orders for PVC joinery.

Only the best solutions take part in our development and production processes. This delivers energy-efficient products of the highest quality as confirmed by numerous approvals and certificates.



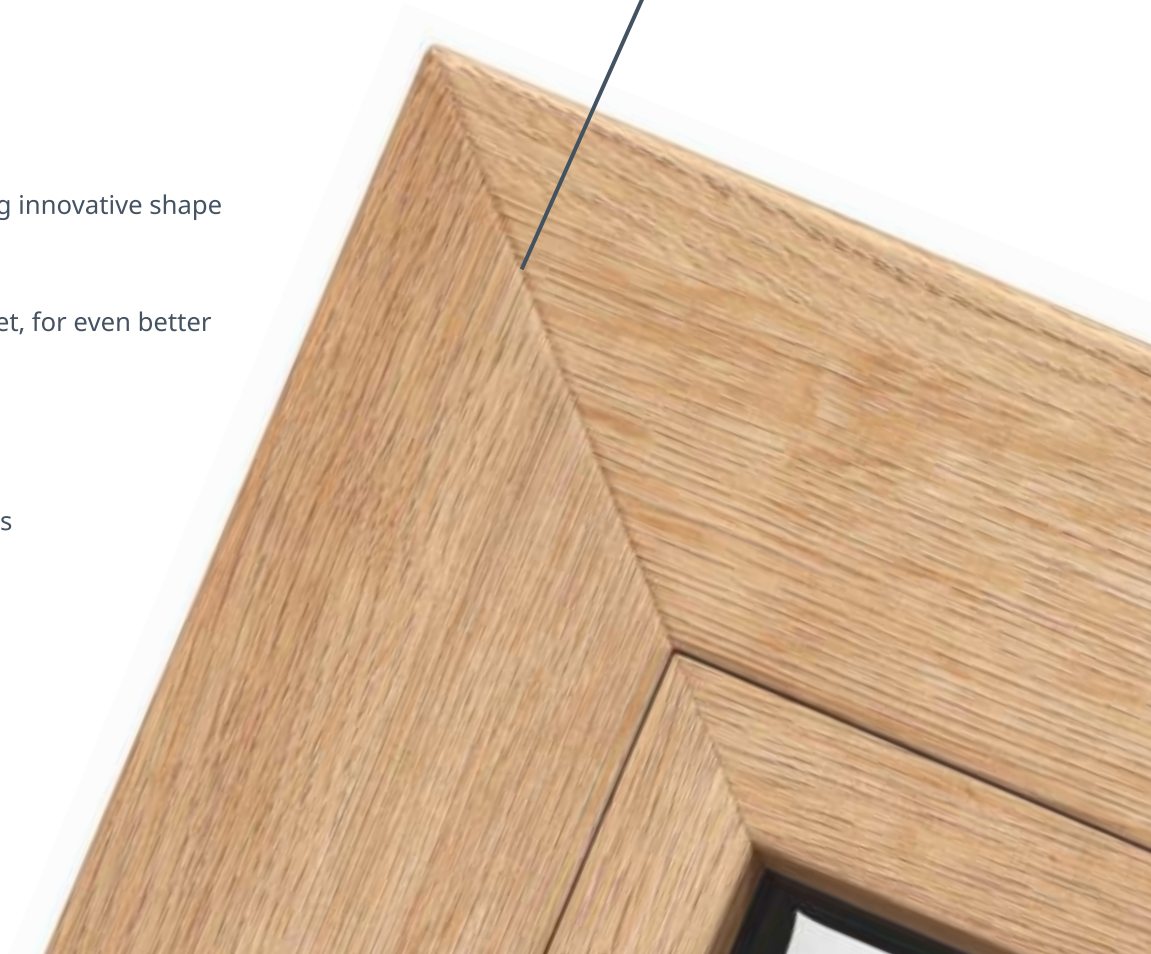


CONTENTS:

7-9	10-11	12	13	14	15	16	17	18	19	20-21	22	23	24-25	26	27	28-33	34-36
uPVC WINDOW SYSTEMS	DOORS AND TERRACE SYSTEMS	WINDOW HANDLES	GEALAN COLOR PALLETTE 	VEKA COLOR PALLETTE 	WINDOW FITTINGS	WINDOW VENTS - SPECIAL GLASS	MUNTINS	ORNAMENTAL GLASS	MOSQUITO SCREENS	DOOR PANELS	uPVC DOOR ACCESSORIES	HANDLES - DOOR CLOSERS	ALUMINIUM WINDOW AND DOOR SYSTEM	PULL HANDLES	ALUMINIUM DOOR PANELS	ROLLER SHUTTERS	EXTERNAL VENETIAN BLINDS



- 1 permanent and precise joining of profiles employing innovative shape welding technology
- 2 invisible weld – unique on the window joinery market, for even better looking windows
- 3 perfect welding of gaskets for a perfect seal
- 4 freedom of choice: unlimited window design options
- 5 durability and reliability for years to come

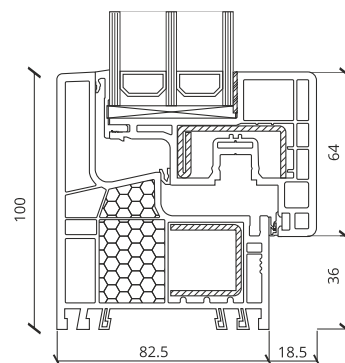




QUADRO

GEALAN KUBUS system

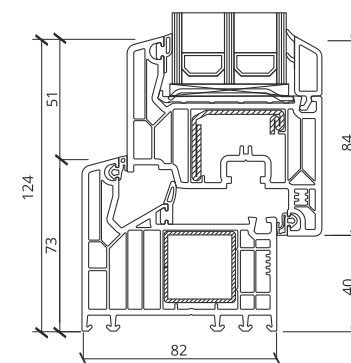
0,88 Uf(w/m ² K)	4 Chambers	82,5 Profile width (mm)	0,7 Uw(w/m ² K)
---------------------------------------	----------------------	--------------------------------------	--------------------------------------



VECTOR

VEKA Softline 82 MD system

1,0 Uf(w/m ² K)	7 Chambers	82 Profile width (mm)	0,77 Uw(w/m ² K)
--------------------------------------	----------------------	------------------------------------	---------------------------------------

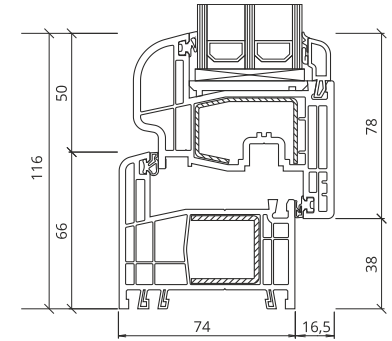
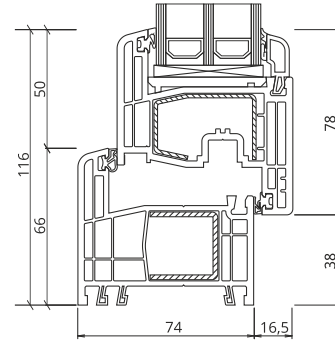


SYNERGIC

GEALAN S 8000 system



1,1 Uf(w/m ² K)	6 Chambers	74 Profile width (mm)	0,82 Uw(w/m ² K) *
--------------------------------------	----------------------	------------------------------------	---



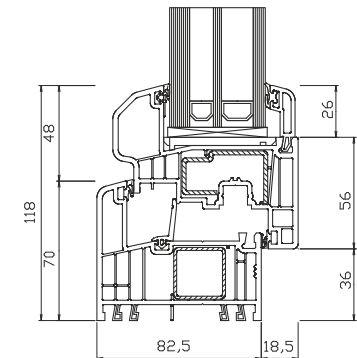
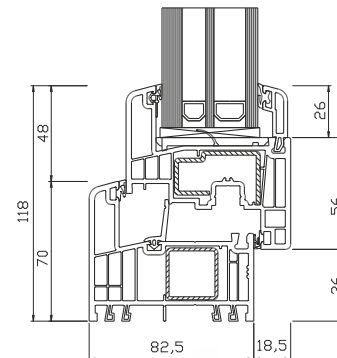
*White profiles parameters

ENERGETIC

GEALAN S 9000 MD system



0,92 Uf(w/m ² K)	6 Chambers	82,5 Profile width (mm)	0,71 Uw(w/m ² K)
---------------------------------------	----------------------	--------------------------------------	---------------------------------------

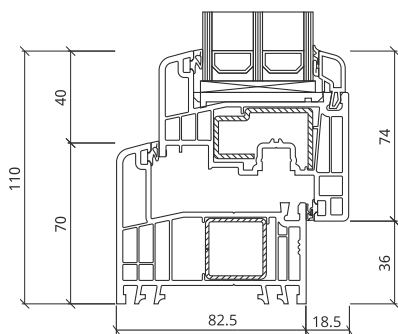
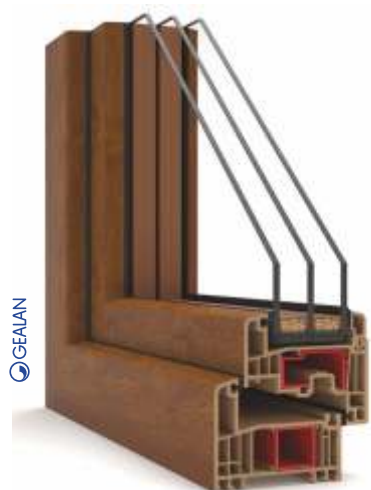


UPVC WINDOW SYSTEMS

ADVANCE

GEALAN S 9000 AD system

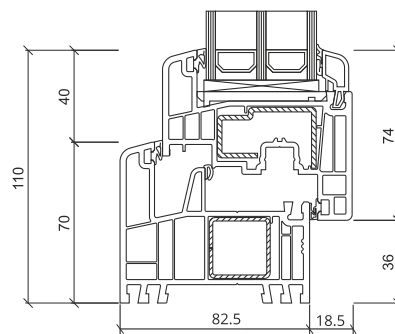
1,2 Uf(w/m²K)	6 Chambers	82,5 Profile width (mm)	0,83 Uw(w/m²K)
-------------------------	----------------------	--------------------------------------	--------------------------



PROTECTO

GEALAN S 9000 MD system

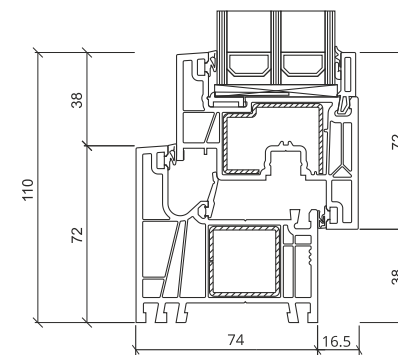
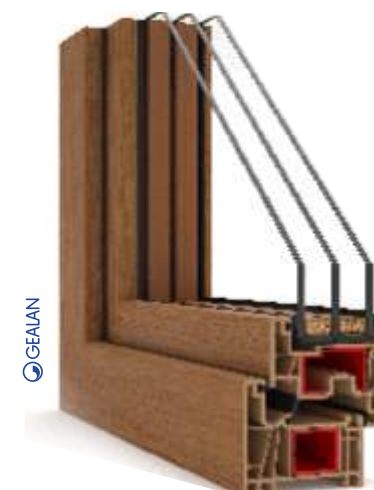
0,92 Uf(w/m²K)	6 Chambers	82,5 Profile width (mm)	0,71 Uw(w/m²K)
--------------------------	----------------------	--------------------------------------	--------------------------



CONTUR

GEALAN LINEAR system

1,0 Uf(w/m²K)	6 Chambers	74 Profile width (mm)	0,77 Uw(w/m²K)
-------------------------	----------------------	------------------------------------	--------------------------

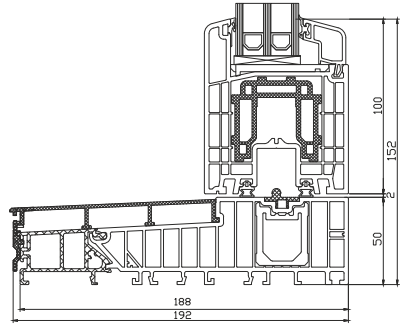


PERSPECTIVE

GEALAN S 9000 system



0,8 Uw(w/m²K)	1,2 Uf(w/m²K)	190 Profile width (mm)	5 Chambers
-------------------------	-------------------------	----------------------------------	----------------------

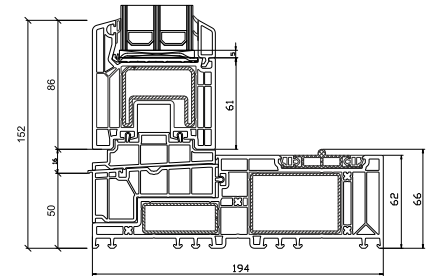


PERSPECTIVE

VEKAMOTION 82 system



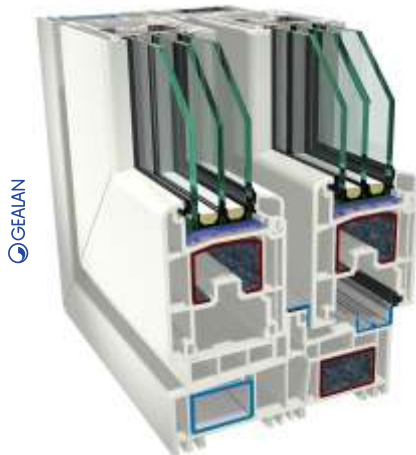
0,78 Uw(w/m²K)	1,4 Uf(w/m²K)	194 Profile width (mm)	5 Chambers
--------------------------	-------------------------	----------------------------------	----------------------



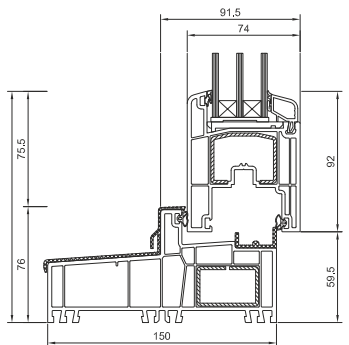
DOORS AND TERRACE SYSTEMS

VERANO

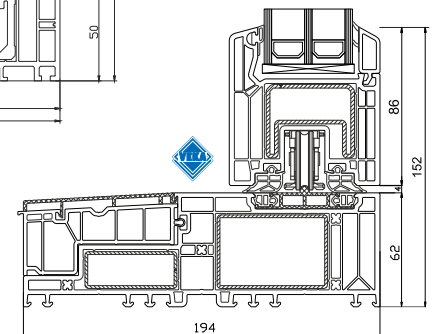
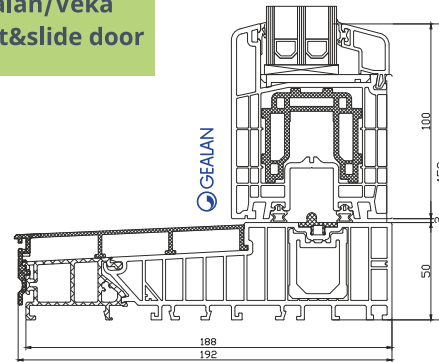
GEALAN-SMOOVIO system



0,85 Uw(w/m²K)	1,4 Uf(w/m²K)	150 Profile width (mm)	4 Chambers
--------------------------	-------------------------	----------------------------------	----------------------

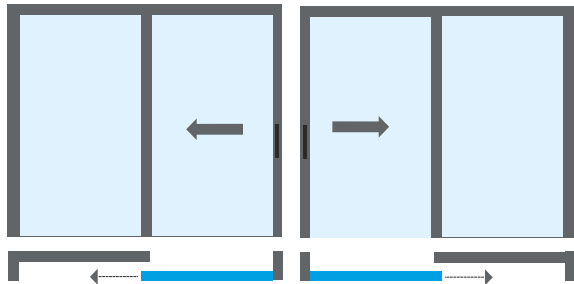


THRESHOLD Gealan/Veka For lift&slide door



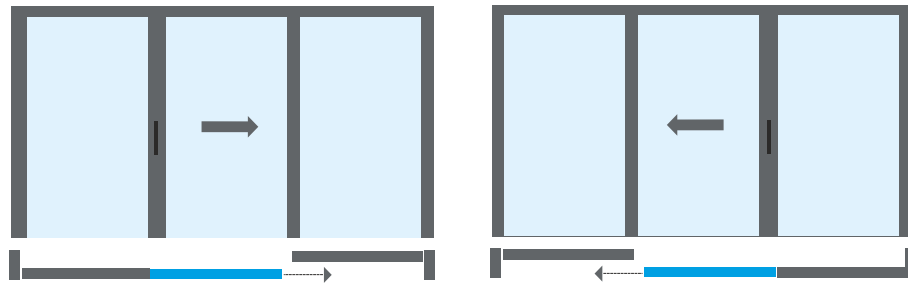
GEALAN/VEKA sliding doors opening diagrams

SCHEME A



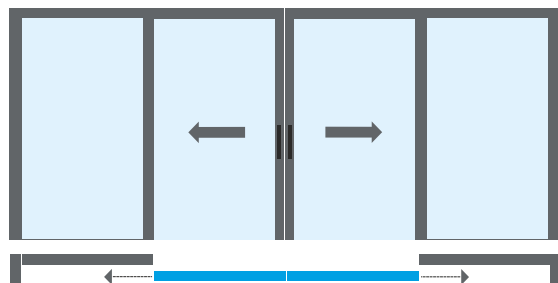
One sash slides onto the fixed section (shop window).

SCHEME G



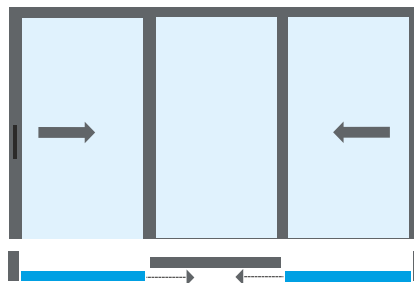
One sash slides onto the fixed section to the right or left.

SCHEME C



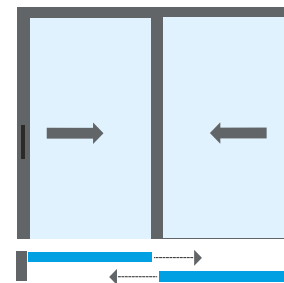
Two sashes slide onto the fixed section to the right and left sides.

SCHEME K



Two sashes slide onto the middle fixed section.

DIAGRAM D*



Sliding right and left sashes.
* Only Veka.

Window handles



Swing
Available colors:
- white
- F1
- F4
- F9



New York Secustic
Available colors:
- anthracite
- white
- brown
- F1
- F4
- F9



New York Secustic with key
Available colors:
- white
- brown
- F1
- F4
- F9



New York Secustic with button
Available colors:
- white
- brown
- F1
- F4
- F9



Dublin
Available colors:
- anthracite
- white
- brown
- black
- F1
- F4
- F6



Dublin with a key
Available colors:
- anthracite
- white
- brown
- black
- F1
- F4
- F6



Dublin Delux
Available colors:
- black



Dublin with a button
Available colors:
- anthracite
- white
- brown
- black
- F1
- F4
- F6



Toulon, Toulon SecuForte
Available colors:
- white
- black
- F1
- F4
- F9



Toulon with a key, Toulon SecuForte with a key
Available colors:
- white
- black
- F1
- F4
- F9



Hamburg SecuForte
Available colors:
- white
- brown
- black
- F1
- F4
- F9



Hamburg SecuForte with a key
Available colors:
- white
- brown
- black
- F1
- F4
- F9



Helga
Available colors:
- white
- brown
- F1
- F4
- F9



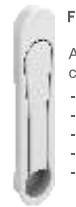
Amsterdam
Available colors:
- F6



Standard Aluminum, Standard Aluminum with a key
Available colors:
- white



Atlanta
Available colors:
- white
- F1
- F4
- F9



FreeStyle
Available colors:
- white
- brown
- black
- steel
- antique brass

Lift & Slide handles



- recessed pull handle with semi lock insert



- pull handles on both sides with lock insert



- external recessed pull handle

Si-Line - Handles



- recessed pull handle with semi lock insert



- pull handles on both sides with lock insert



- external recessed pull handle

Hoppe Toulon - Handles

- recessed pull handle with semi lock insert

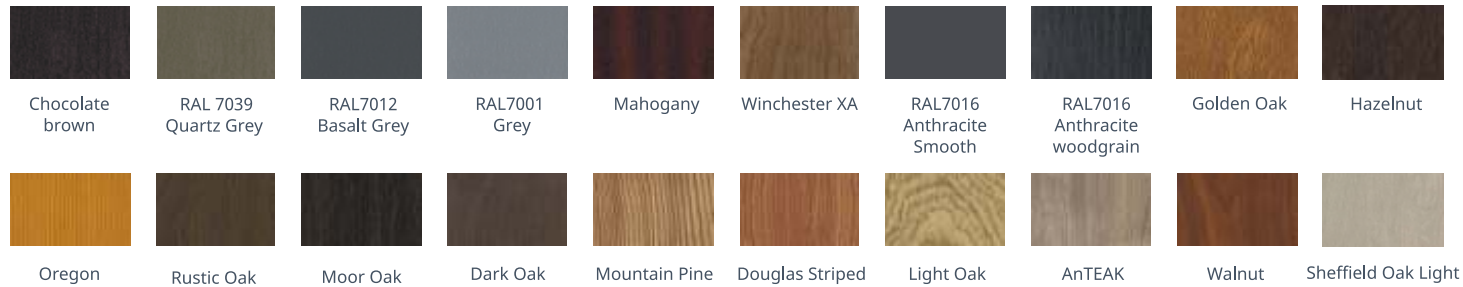
- pull handles on both sides with lock insert

- external recessed pull handle

STANDARD

STANDARD

Décor foils



Natural and metallic effect foils



Grained plain colours



Smooth plain colours, matt



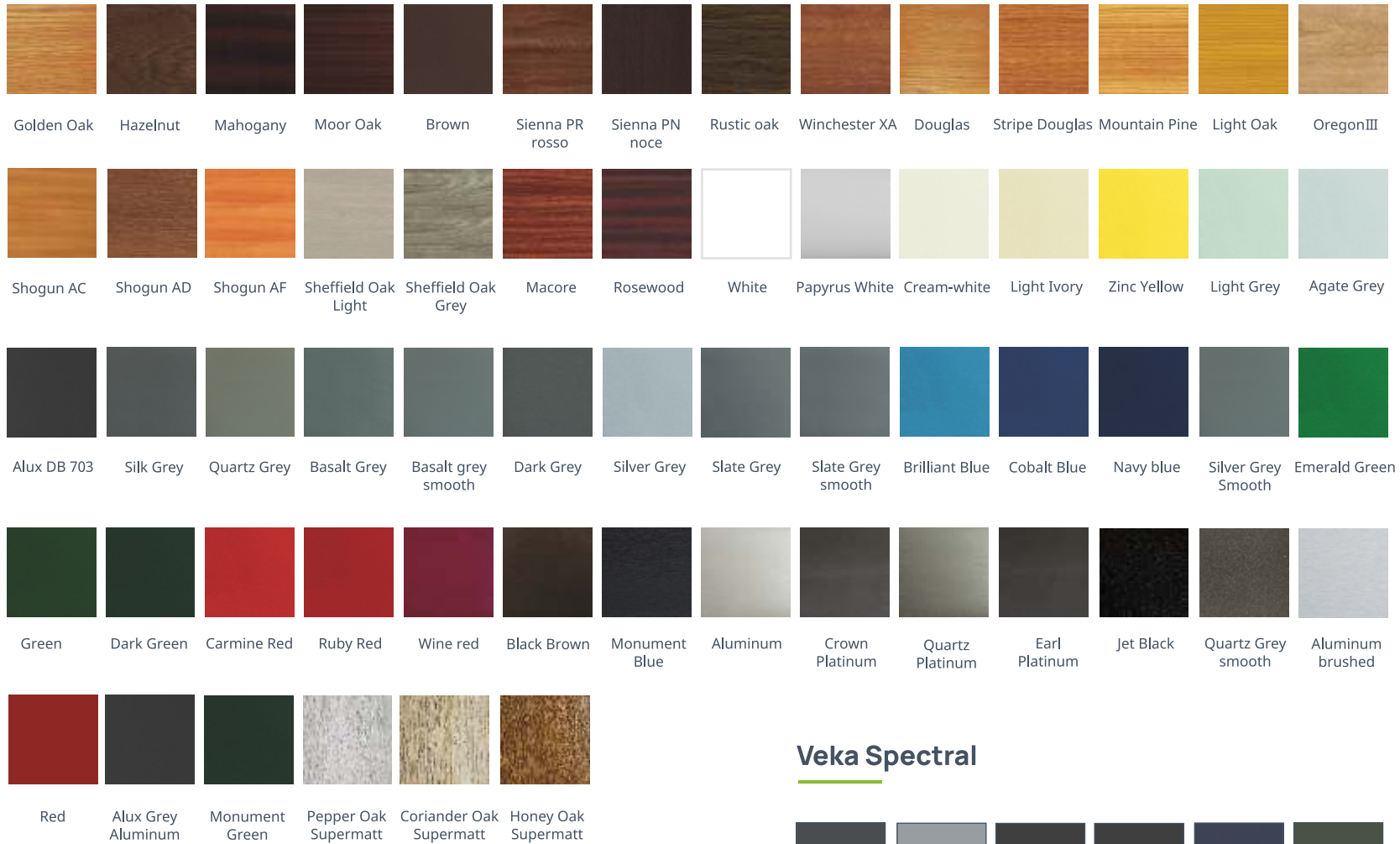
Acrylcolor – standard colours

The GEALAN-acrylcolor® surface endows plastic windows with unique properties: durability, resistance to heating, ageing and fading. The satin-mat outer surface features timeless elegance and remains weatherproof for decades.

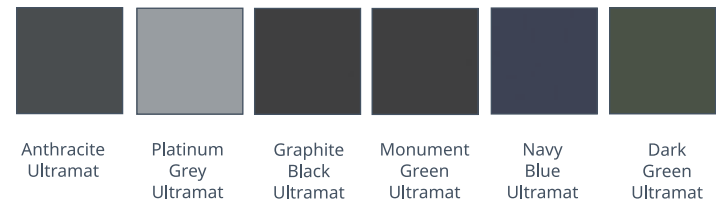


RAL 7015 RAL 7016 RAL 7039 RAL 7040 RAL 8014 RAL 9005 RAL 9016 RAL 7022

Décor foilss



Veka Spectral



* Actual colours may vary slightly from the colours shown in the catalogue.

ActivPilot Concept window fitting



PROPERTIES

Fitting groove axis to frame edge distance: 9 or 13 mm.

Fitting groove clearance: 12 mm (between 9.8 and 14 mm).

Rebate: 18 mm or 20/21 mm.

Surface mounted hinges with symmetrical arrangement of frame hinge and stay hinge holes.

The locking system is based on octagonal mushroom-shaped pins. This makes it possible to change the anti-burglary protection standard of the window.

ActivPilot Select window fitting



PROPERTIES

Fitting groove axis to frame edge distance: 9 or 13 mm.

Fitting groove clearance: 12 mm (between 9.8 and 14 mm).

Sash opening angle up to approx. 95°

Modular design provides a load capacity of up to 150 kg.

The hinges are completely invisible when a window is closed - they are mounted in the space under the sash rebate.

Window vents



Aereco EMM, Aereco EXR



Gecco 3



MacoVent

Special glass



Reflex: transparent, brown, graphite, green



Antisol: brown, blue, graphite, green

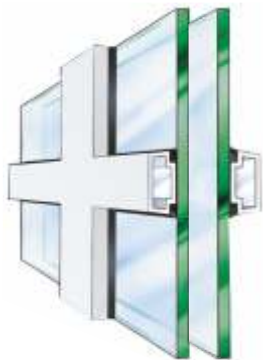


VSG - laminated



ESG - tempered

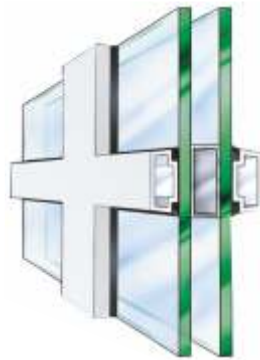
Muntins



1



2



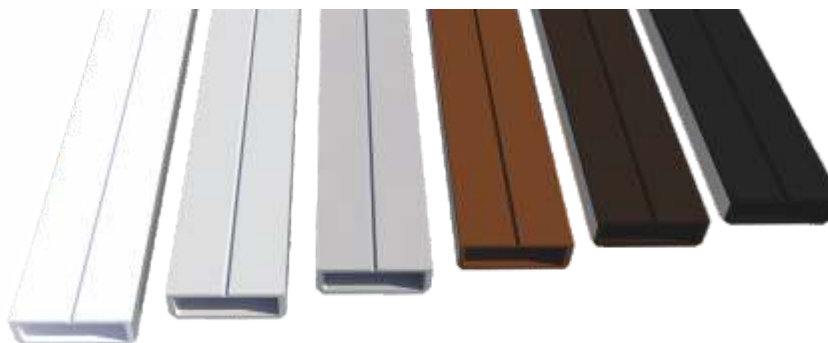
3

1	External muntins	Available widths:	
		VEKA	GEALAN
		25 mm 40 mm	23 mm 33 mm 43 mm
2	Internal muntins between glass	Available widths:	
		9 mm 18 mm 26 mm 45 mm	
3	Simulated divided sash bars	Available widths:	
		VEKA	GEALAN
		25 mm 40 mm	23 mm 33 mm 43 mm

Warm edge spacers



Aluminum edge spacers



Available colours: white, grey, dark grey, light brown, dark brown, black

Ornamental glass



Atlantic



Raindrops



Chinchilla



Crepi



Delta



Kralika*



Master Carre*



Kora



Master Point*



Master Ligne*



Flutes

Sample photos.

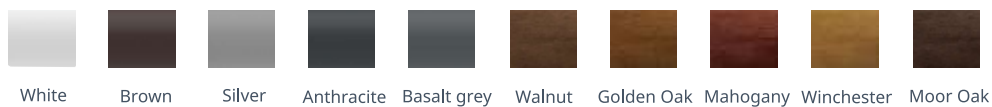
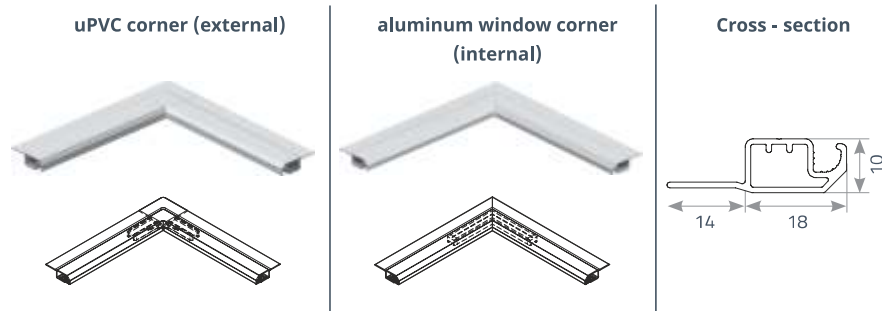
* Saint-Gobain Building Glass Poland ornamental glass pattern.

Mosquito screens



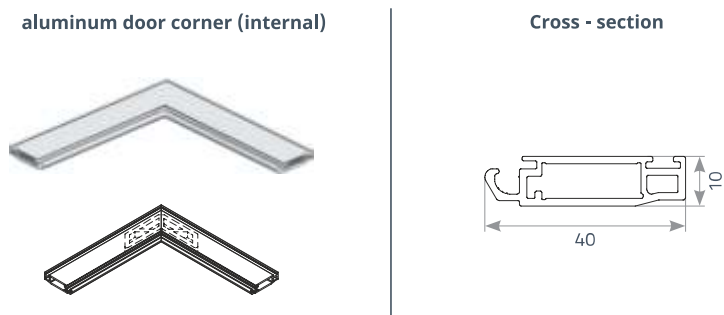
Protection against insects in the window

	Min.	Max
Width	500 mm	2000 mm
Height	500 mm	2000 mm
Minimum area of 2.6 m ²		



Protection against insects for doors

	Min.	Max
Width	500 mm	1200 mm
Height	1000 mm	2300 mm
Minimum area of 2,76 m ²		



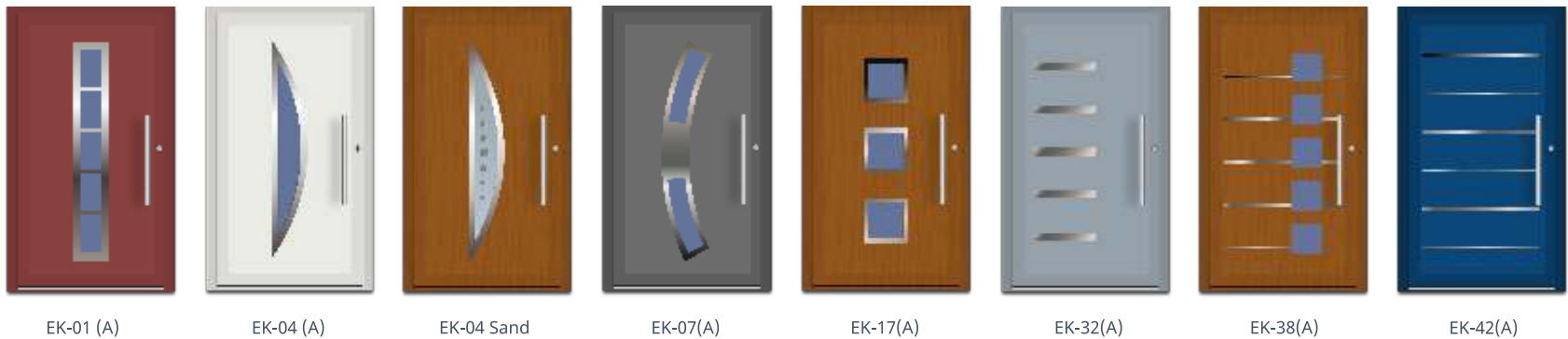
Core product line

Characteristic: Standard size: 850 x 2000 x 24/28/36/44 mm. All models are available coated in one of 18 different foils, as well as in white and creamy white.



PVC budget product line

Characteristic: Standard size: 900x 2000 x24/28/36/44 mm PVC, Structure: 2.0/20/2.0:2.0 mm PVC panel, 20.00 mm rigid polyurethane foam, 2.0 mm uPVC Panel.



New PVC product line*

Characteristic: Standard size: 1000 x 2000 x 24/28/36/44 mm; Structure: 2.0/20/2.0 2.0 mm 2.0 mm milled aluminum sheet 20.00 mm rigid polyurethane foam 2.0 mm milled aluminum sheet.



NL-EK 7



NL-EK 22



NL-EK 24



NL-EK 28



NL-EK 36



NL-EK 37

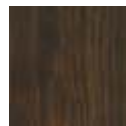
Decors imitating wood



Golden Oak
ADEC D101



Rustic Oak
ADEC D210



Swamp Oak
ADEC D502



Ebony
ADEC M102



Walnut
ADEC O102



Walnut vein
ADEC O205



Mahogany
ADEC M103



Mahogany sapeli
ADEC M204



Pine
ADEC S106



Pine
ADEC S110



Fir
ADEC J107



Fir
ADEC S208



Beech
ADEC B108



Cherry
ADEC W109



Wenge
ADEC W205



Winchester
ADEC D207



Gean
ADEC C110



Gean
ADEC C212



Dark Gean
ADEC C106



Chestnut
ADEC K101

* Actual colours may vary slightly from the colours shown in the catalogue.

* The panels are also available in an aluminum version.

Accessories for PVC doors



MACO ZT-F automatic 3-catch drive rod (as standard):

- key operated;
- 3 bolts hold the door sash without the need for additional locking;
- simple and quiet closing action;



**Winkhaus M2 drive rod:
1 lock, 1 latch, 2 hooks**

Solid steel rotary bolts penetrate deep into the strike plate and frame.

- distance from the drive rod face to the handle axis: 45 cm;
- distance from handle axis to cylinder axis 92/8 mm;
- plate width: 20 mm;



**Winkhaus M4 drive rod:
1 lock, 1 latch, 4 hooks
Door drive rod variant F flat plate.**

- for a cylinder in the main housing,
- distance from the drive rod face to the handle axis 55 mm,
- distance from handle axis to cylinder axis 92 mm;
- face plate width: 16 mm;



**EAV3 drive rod:
1 lock, 1 latch, 2 hooks**

As soon as the door is closed, it automatically locks. The door is opened from the outside by a 12V electric motor which retracts the bolts and the catch.

Further elements can be added to this system: remote control, transponder with a reader, fingerprint reader, keypad with a Bluetooth reader, RFID reader.



by finger pressure

using a keyboard or via a mobile telephone

Door closers



Geze TS2000 door closer with a link arm

Door closer with a link arm for single sash doors up to 1250 mm sash width and variable closing force.

- variable closing force of EN2, EN4 or EN5 through offset installation
- can be used for right and left hand doors without conversion
- mechanical latching action which accelerates the door shortly before the closed position
- closing speed can be individually adjusted



Geze TS3000 door closer with a guide rail

Overhead door closer with guide rail for single sash doors with a sash width up to 1100 mm.

- step less closing force adjustment
- integrated opening damping, slows down doors opened forcefully
- hydraulic latching action which accelerates the door shortly before it is closed
- closing speed can be individually adjusted
- all functions can be set from the front (except for closing force)



Geze TS4000 door closer with a link arm

Door closer with a link arm for single sash doors up to 1400 mm sash.

- EN1-6 step less closing force adjustment
- can be used for right and left hand doors without conversion
- mechanical latching action which accelerates the door shortly before the closed position
- integrated opening damping, slows down doors opened forcefully

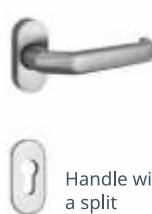


Geze TS5000 door closer with a guide rail

Overhead door closer with guide rail for installation on the opposite hinge side for single sash doors with a sash width up to 1400 mm.

- step less closing force adjustment
- hydraulic latching action which accelerates the door shortly before it is closed
- optical closing force indicator for easy adjustment

Door handles



Handle with a split escutcheon



Handle with a long escutcheon



Handle - flat, external for roller shutters



Door handle / knob with an escutcheon



Door handle / pull with an escutcheon

Pull handles



Spacing: 300 mm, ø 32 mm



L: 400 mm, 500 mm, 600 mm, 800 mm, 1000 mm, 1200 mm, 1400 mm, 1800 mm, ø 32 mm



Spacing: 300 mm, ø 32 mm



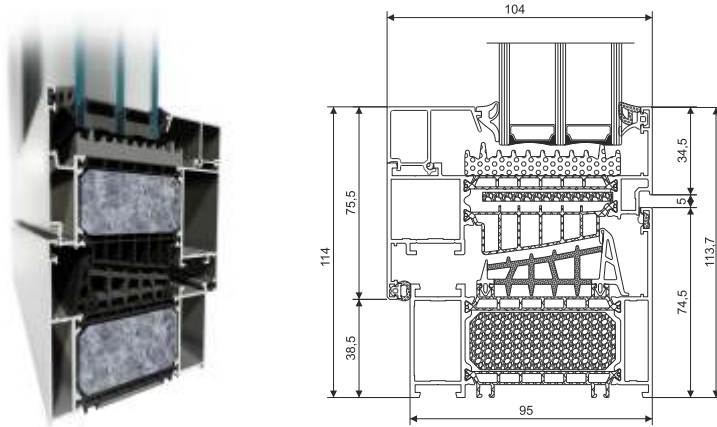
Spacing: 300 mm, ø 32 mm

MB 104 system

MB 104 Passive SI window system

from **0,83**
Uf(w/m²K)

from **0,68**
Uw(w/m²K)

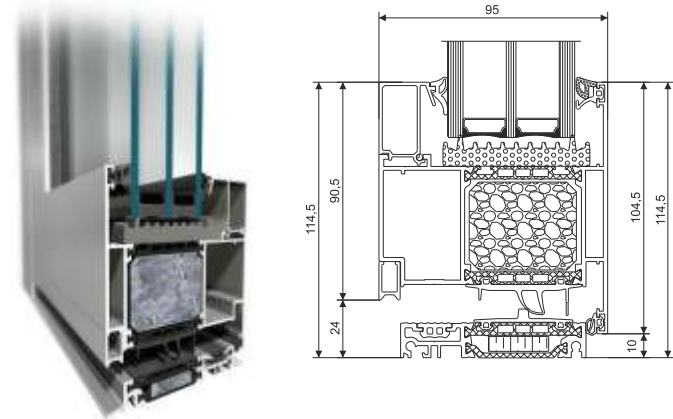


MB 104 system

MB 104 Passive SI + door system

from **0,98**
Uf(w/m²K)

from **0,72**
U_s(w/m²K)

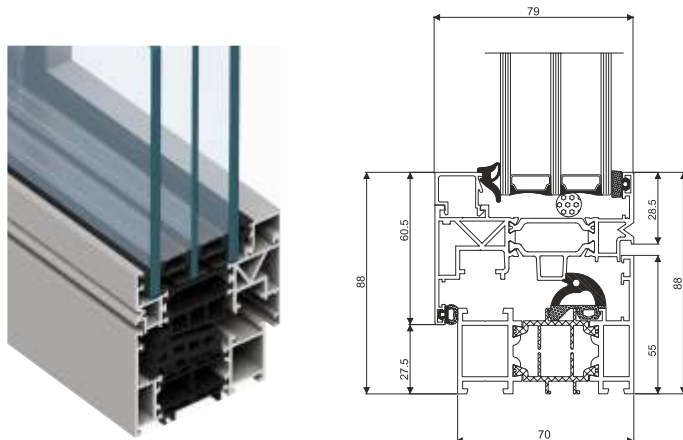


MaxView system

MaxView window system

from **1,0**
Uf(w/m²K)

from **0,9**
Uw(w/m²K)

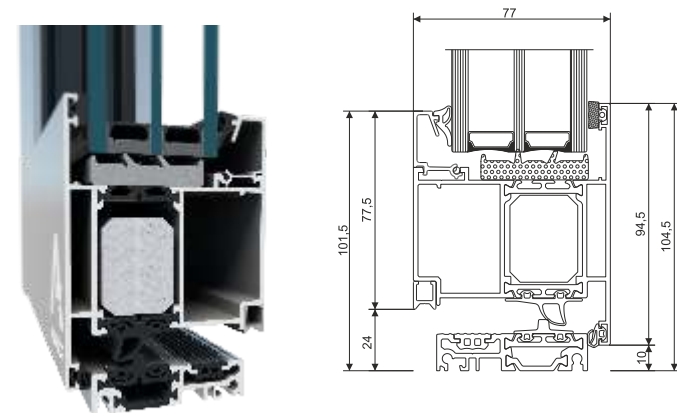


MB 86N system

MB 86N SI+ door system

from **0,97**
Uf(w/m²K)

from **0,88**
U_s(w/m²K)

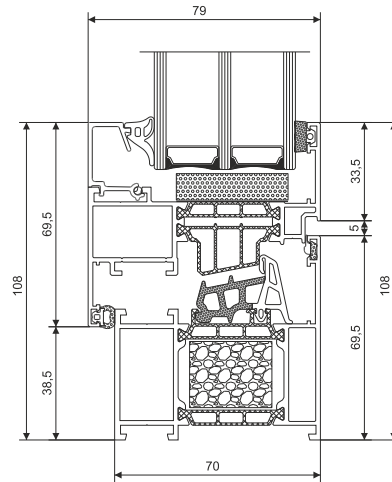


MB 79N system

MB 79N SI window system

from
0,83
Uf(w/m²K)

from
0,81
Uw(w/m²K)

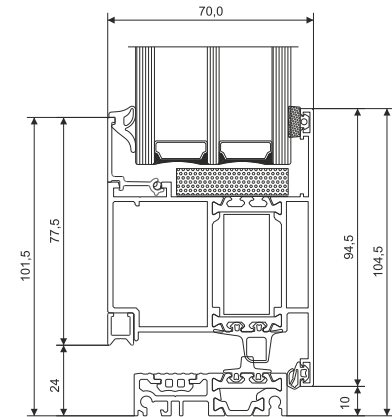


MB 79N system

MB 79N SI+ door system

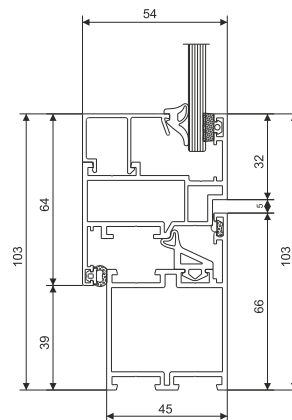
from
1,17
Uf(w/m²K)

from
1,04
Uw(w/m²K)



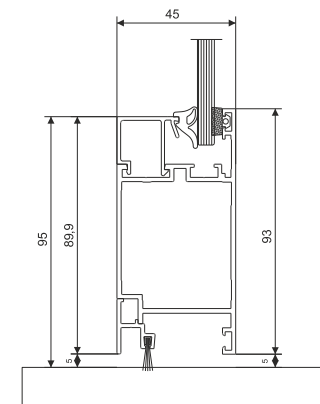
MB 45 system

Window system



MB 45 system

Door system



Pull handles

SERIES AD



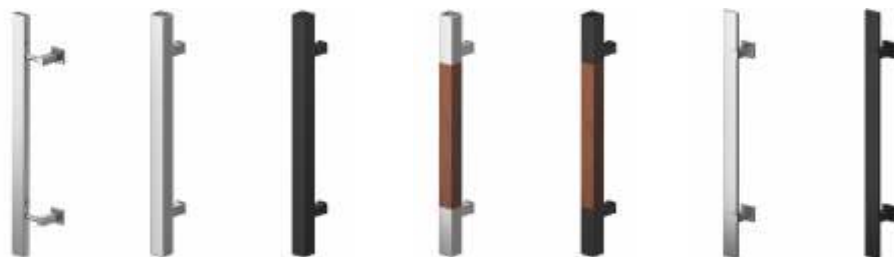
SERIES PPA



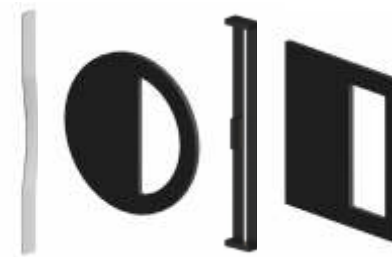
SERIES Z



SERIES QA



SERIES QA



SERIES QS/G



SERIES M



AD series



AD-01



AD-02



AD-03



AD-08



AD-09



AD-14



AD-15



AD-16

AG series



AG-01



AG-01B



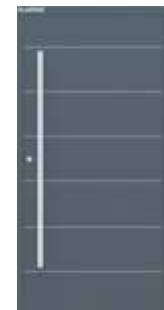
AG-02



AG-03



AG-04



AG-05



AG-06



AG-07

AP series



AP-02



AP-03



AP-04



AG-P-05



AP-09



AP-10



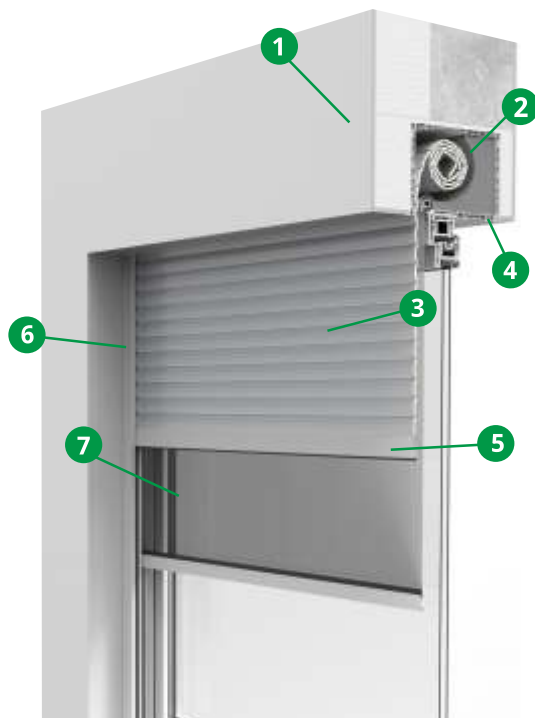
AP-11



AP-12

RN - BERLIN

| Top - mounted roller shutters



Top - mounted roller shutters feature a PVC cassette with an inspection cover from below or on the front (inside face). A mounted cassette can be enclosed on the inside, outside or on both sides of the window opening. Available cassette heights: 165 mm, 205 mm, 245 mm.

-
- 1. Flush-mounted 2. Winding element
 - 3. Slats 4. Inspection hatch 5. Bottom slat
 - 6. Guide 7. Optional mosquito net

RS - OSLO

| Surface mounted roller shutters

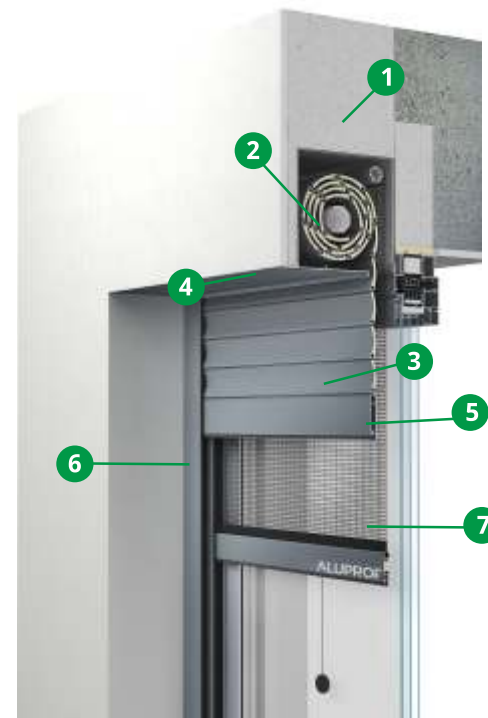


The front shutters are made of aluminum and are visible above a window. The cassette may be mounted on the façade above a window or in the window opening. Available cassette heights: 137 mm, 165 mm, 180 mm, 205 mm.

-
- 1. Inspection hatch 2. Winding element 3. Slats
 - 4. Roller cassette 5. Bottom slat
 - 6. Guide 7. Structural wall insulation

RZ - BARCELONA

| Flush - mounted roller shutters



The roller shutter box is made of aluminum with an inspection cover on the bottom (external face). The roller shutter box is installed in front of the window in the lintel. Available cassette heights: 137 mm, 165 mm, 180 mm, 205 mm.

-
- 1. Flush-mounted 2. Winding element
 - 3. Slats 4. Inspection hatch 5. Bottom slat
 - 6. Guide 7. Optional mosquito net

Top - mounted roller shutters

These feature an inspection cover from below or on the front.
Cassette mounting options:



on the inside and outside



on the inside



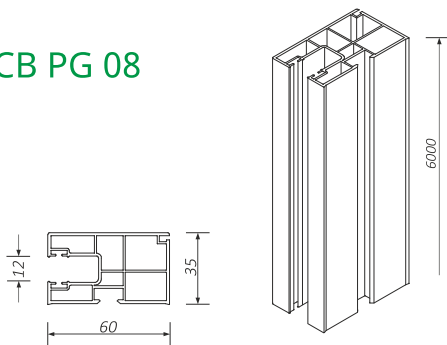
on the outside



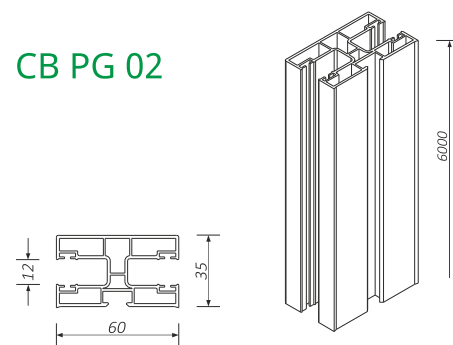
not enclosed

PVC roller shutter guide rails

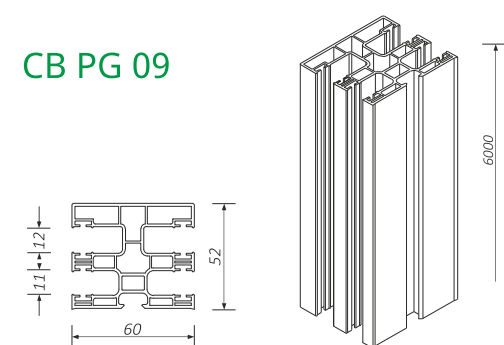
CB PG 08



CB PG 02

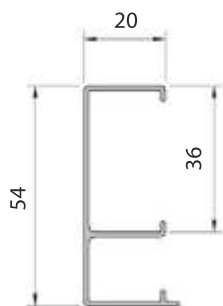


CB PG 09

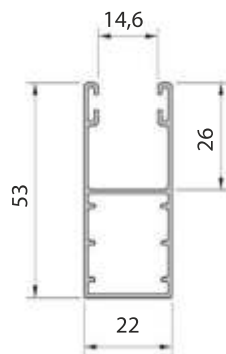


Aluminum roller shutters guides

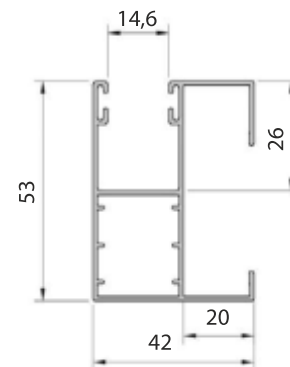
D/PP



PP 53

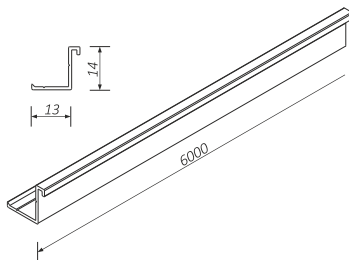


PP 53/ODS/20

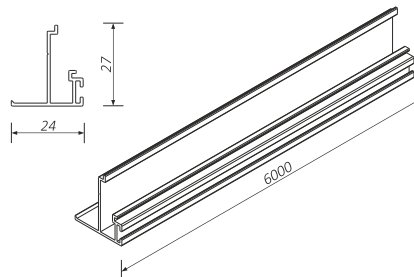


Housing angle bars

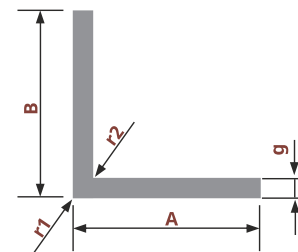
CB AA 00



CB AA 02



Angle bar for RZ 20x20x2 roller shutter



Cassette and guides colour



Slats



Manual drive



Tape winder



Tape winder
with a crank

Motors



Electric limit switch
Nice ERA motor



Mechanical limit switch
Nice ERA M motor



Somfy OXIMO IO motor
Electric limit switches with a receiver



Somfy ILMO WT motor electric
limit switch



Somfy OXIMO RTS motor electric
limit switches with a receiver



ELERO RolSolar electric motor limit switch and receiver
with a solar panel and battery pack

NEW

Remote control / push-button switch / radio wall transmitter



Nice MW1



Nice MW2



Nice MW3



Nice W1



Nice W6



Nice sliE-6



Nice Pview 99 Teils remote control with a clock



Nice P1



Nice P18



Nice P6



SomfyTelis 16 RTS with a clock



Somfy Situo 5 IO



Somfy Situo 1 IO



Somfy Tahoma Switch



Somfy touch switch



Somfy Smooove 1 IO



Somfy Smooove 1 RTS



Somfy push - button switch, flush mounted, battery powered



Somfy Nina Timer IO with a clock / with a touchscreen



Somfy Nina IO



Somfy key operated switch, suitable for plastering



Flush - mounted Somfy key operated switch

External Venetian blinds

RB - BONN

Venetian blind in a top-mounted cassette

Suitable for installation both in new builds and retrofits.



- cassette and guides - Beclaver
- Venetian blinds - Aluprof, automatic control - Somfy
- maximum dimensions: 4200 mm and 3800 mm with a cassette, or 3555 mm window height
- aluminum sheet metal lemellas, available in two shapes: C80 and Z90
- C80** - their shape makes them extremely resistant to wind, swivel: from 0 to 180°
- Z90** - provide greater shading and include an additional soundproofing gasket, swivel range: from 0 to 90°
- cassette height: 245 mm

RE - NAPOLI

surface mounted Venetian blind

Attachment options: Façade mounted or in the window recess of existing buildings.



- cassette, guides, Venetian blinds - Aluprof
- automatic control - Somfy
- maximum dimensions: 4500 x 4000 mm
- aluminum sheet metal lemellas, available in two shapes: C80 and Z90
- C80** - their shape makes them extremely resistant to wind, swivel: 0 - 180°
- Z90** - provide greater shading and include an additional soundproofing gasket, swivel: 0 - 90°
- available cassette heights: 200 mm, 250 mm, 300 mm, 390 mm

RP - SPLIT

flush-mounted Venetian blind

Suitable for new builds or existing buildings, but with the necessary alterations to the lintel.

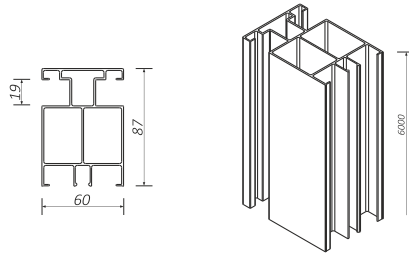


- cassette, guides, Venetian blinds - Aluprof
- automatic control - Somfy
- maximum dimensions of one Venetian blind: 4500 x 4000 mm
- aluminum sheet metal lemellas, available in two shapes: C80 and Z90
- C80** - their shape makes them extremely resistant to wind, swivel: 0 - 180°
- Z90** - provide greater shading and include an additional soundproofing gasket, swivel: 0 - 90°
- available cassette heights: 200 mm, 250 mm, 300 mm, 390 mm

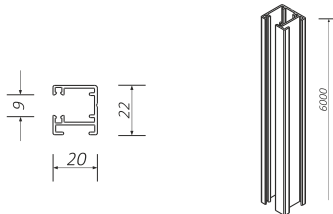
Guides

Aluminum guide for top-mounted Venetian blinds RB - BONN based on BeClever cassettes.

CB PG 10



CB PG 13

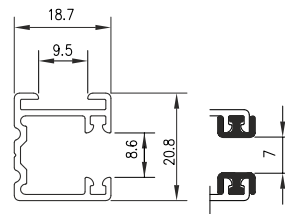


The CB PG 10 guide is mounted directly to the frame in the same way as a roller shutter guide, while the CB PG 13 additionally requires a CB AF 04 bracket.



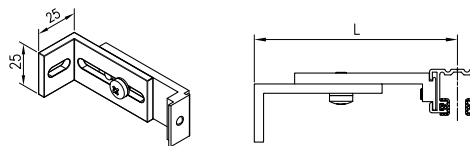
Aluminum guide for RE - NAPOLI surface mounted Venetian blinds made by Aluprof. The PP SZF guide is mounted on a UP SZF 1 and UP SZ 2 brackets.

PP SZF

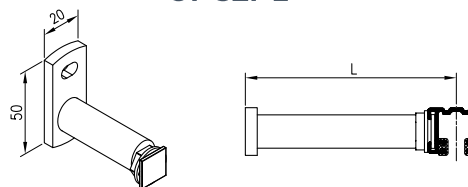


The PP SZF guide is mounted on a UP SZF 1 and UP SZ 2 brackets.

UP SZF 1

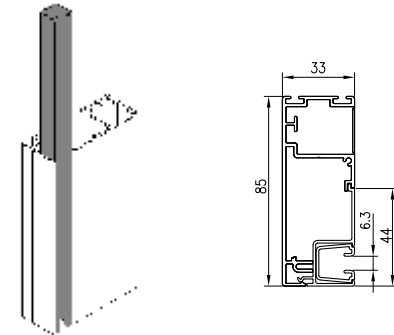


UP SZF 2

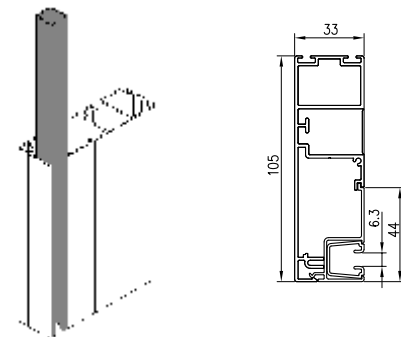


Aluminum guide for RP - SPLIT flush mounted Venetian blinds made by Aluprof.

PW UF 85



PW UF 105



The PW UF 85 and PW UF 105 guides are attached directly to the frame.

Control accessories

Remotes



NINA
- touch - screen remote control



NINA T
- touch - screen remote control
and timer



SITU01V
- 1 channel remote control
dedicated to Venetian blinds



SITU05V
- 5 channel remote control
dedicated to Venetian blinds

Sunlight sensor



SUNIS
- sunlight sensor

Rain sensor



ONDEIS
- Rain sensor

Wind sensor



EOLIS 230
- wired wind sensor



EOLIS WF
- WIFI wind sensor



TAHOMA
- Tahoma Switch control unit

Somfy Wind sensor. Recommended as a safety feature for blinds. When wind exceeds a certain speed, the Venetian blinds are automatically retracted into the cassette as protection against damage.

Technical parameters

	Advance GEALAN S 9000 AD	Synergic GEALAN S 8000	Perspective GEALAN S 9000	Verano GEALAN - SMOOVIO	Quadro GEALAN-KUBUS	Vector VEKA Softline 82 MD	Energetic GEALAN S 9000 MD	Protecto GEALAN S 9000 MD	Contur GEALAN LINEAR
Waterproofness	7A wg DIN EN 12208	E750 wg DIN EN 12208	7A wg DIN EN 12208	7A wg DIN EN 12208	4A wg DIN EN 12208	E750 wg DIN EN 12208	E900 wg DIN EN 12208	E1200 wg DIN EN 12208	E900 wg DIN EN 12208
Wind load resistance	C5 wg DIN EN 12210	C5 wg DIN EN 12210	C1/B2 wg DIN EN 12210	C1/B2 wg DIN EN 12210	C5 wg DIN EN 12210	C5 wg DIN EN 12210	C5 wg DIN EN 12210	C5 wg DIN EN 12210	C5 wg DIN EN 12210
Air permeability	4 wg DIN EN 12207	4 wg DIN EN 12207	4 wg DIN EN 12207	4 wg DIN EN 12207	4 wg DIN EN 12207	4 wg DIN EN 12207	4 wg DIN EN 12207	4 wg DIN EN 12207	4 wg DIN EN 12207
Number of chambers	6	6	5	4	4	7	6	6	6
Installation depth (mm)	82,5	74	190	150	82,5	82	82,5	82,5	74
Straight sash (Classic)	v	v	v	v	v	v	v	v	v
Rounded sash (Round)	x	v	x	x	x	x	v	x	x
Wk1 anti-burglary resistance class (RC1)	Optional	Optional	Optional	Optional	Optional	Optional	Optional	Optional	Optional
Wk2 anti-burglary resistance class (RC2)	Optional	Optional	x	Optional	Optional	Optional	Optional	Optional	Optional
Uw (W/m2K) for the reference window 1,23x1,48 (Ug 0,5 + Swissp. V)	0,83	0,823	0,8	0,85	0,7	0,77	0,713	0,713	0,77
Frame heat transfer coefficient Uf	1,2	1,1 - 1,2	1,2	1,4	0,88	1,0	0,92	0,92	1,0
Acoustic insulation coefficient Rw	30 to 51 dB	30 to 48 dB	30 to 51 dB	30 to 48 dB	30 to 48 dB	30 to 48 dB	30 to 51 dB	30 to 51 dB	30 to 48 dB
Total solar energy transmittance factor g	37 to 62	37 to 62	37 to 62	37 to 62	37 to 62	37 to 62	37 to 62	37 to 62	37 to 62
Light transmittance factor LT	20 to 74	20 to 74	20 to 74	20 to 74	20 to 74	20 to 74	20 to 74	20 to 74	20 to 74
Profiles' foam filling technology IKD	x	x	x	x	v	x	x	Optional	x
Static dry glazing bonding technology STV	Optional	Optional	x	x	v	Optional	Optional	Optional	Optional



Domel Sp. z o.o.
Street: Akademicka 4
18-400 Łomża
tel. +48 86 215 66 88
Poland

www.domelwindows.com